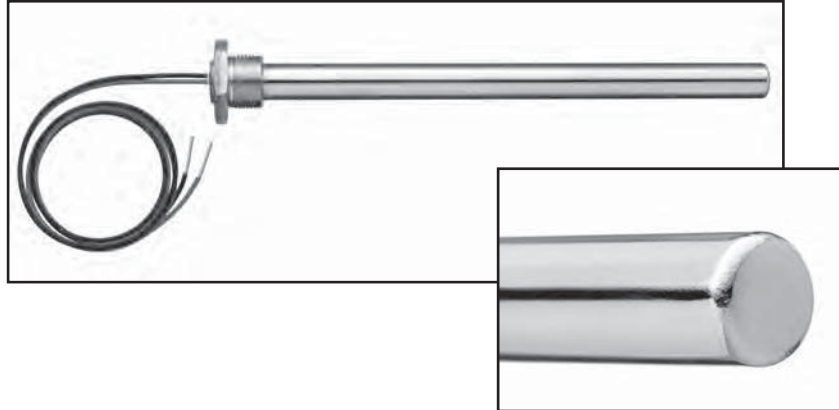


C-DD

Deep Drawn Cartridge Heater

- **Seamless Sheath - No Welded End Disk**
- **304 or 316 Stainless Steel Sheath**
- **Electropolished (Option)**
- **Diameters Available:**
1/8", 1/4", 3/8", 1/2", 5/8", 3/4"
(.3175, .635, .9525, 1.27, 1.5875, 1.905 cm)
- **Lengths Up to 10" (25.4 cm). See Chart**
- **High Watt Densities Available**



Advantages

Deep drawing is a sheet metal process where a sheet metal blank is radially formed into a forming die with a punch. Traditional cartridge heaters use "as welded" or "drawn over mandril" tube construction, using strip that is formed into a tube and welded. Deep drawing eliminates any weld seams that are typical on traditional cartridge heaters. Deep drawing also eliminates the need for a welded end disk which if improperly manufactured can cause the ingress of moisture into the element. This product is ideal for use in critical applications and anywhere risk mitigation is a concern.

Applications

Medical:

- Dialysis
- Nebulizers
- Hydrotherapy
- Pathology Analysis

Analytical:

- Chromatographs
- Water Baths
- Cleaners/Washers

Transportation:

- Potable Water Heaters
- Galley Equipment

Construction

C-DD uses the same robust construction as our standard high watt density cartridge heater. This model is typically supplied with a bushing or flange for immersion applications, but can also be supplied with any of the standard "CIR" configuration and seal options. Sheath material is available in either 304 or 316 stainless steel. The units can be passivated or electropolished for additional corrosion resistance.

Diameter In. (cm)	Maximum Length In. (cm)	Maximum Voltage
1/8 (.3175)	2.5 (6.35)	240
1/4 (.635)	3.75 (9.525)	240
3/8 (.9525)	5 (12.7)	480
1/2 (1.27)	7.5 (19.05)	480
5/8 (1.5875)	8 (20.32)	480
3/4 (1.905)	10 (25.4)	480