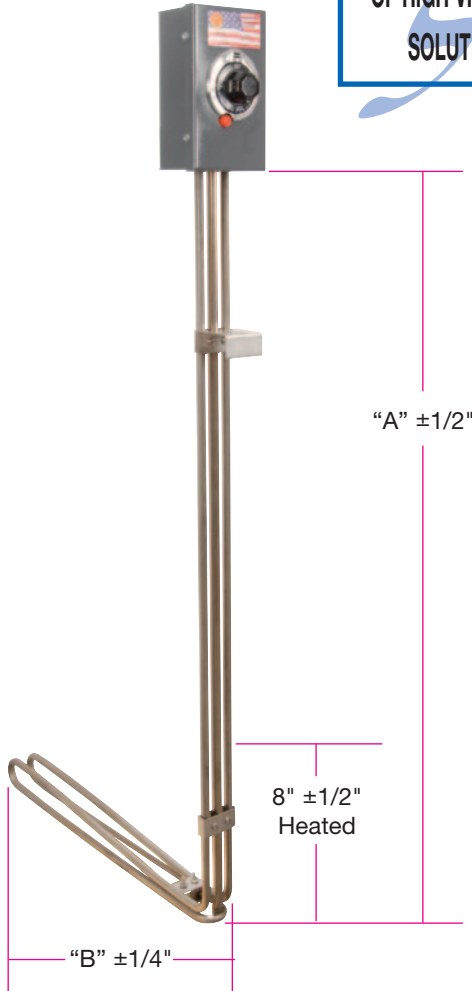




Drum Immersion Heaters

IMPROVE THE FLOW OF HIGH VISCOSITY SOLUTIONS



Design Features

- * Fits through the standard 2" bung opening in 55 gallon drums
- * Ideal for improving the flow of lard, tar, oils and other high viscosity solutions
- * Double Pole 60-250°F thermostat with over-temperature cutout and pilot lamp to indicate heater on/off status
- * Only 8" of vertical riser is heated, allowing liquid level to fluctuate without damaging the heater
- * Adjustable stainless steel mounting bracket

Optional Features

- * Passivation, electropolished, or bright annealed surface treatments available for Stainless Steel or Incoloy sheath designs.
- * NEMA 4 (moisture resistant) and/or NEMA 7 (explosion resistant) terminal enclosures
- * External Power wiring options include flexible cord/plug, armored cable, wire braided or plain lead wire.
- * Process or Hi-Limit thermocouple in thermowell in place of the thermostat

Installation, Operation & Maintenance Instructions

1. Ensure the vertical heated portion, which extends 8" up riser from bottom of element, is always fully immersed.
2. Use in metal drums, containers or heat resistant tanks only.
3. All wiring should be in accordance with NEC/NFPA and local codes.
4. Use techniques safe for the heater and surrounding environment.
5. Use mounting brackets to position heater away from tank wall and above sludge buildup at bottom of tank.
6. Periodically remove the heater to clean residues and inspect for damage.

Standard (Non-Stock) and Stock Sizes

Stock Items Are Shown In RED

| Sheath | Watt Density w/in ² | Watt Density w/cm ² | Watts | Volts | "A" Dim. in | "B" Dim. in | Part Number |
|-----------------|-----------------------------------|-----------------------------------|-------|-------|----------------|----------------|-------------|
| Copper | 8 | 1.2 | 1000 | 120 | 36 | 19 | TAT30003 |
| | 32 | 5.0 | 4000 | 240 | 36 | 19 | TAT30004 |
| Stainless Steel | 8 | 1.2 | 1000 | 120 | 36 | 19 | TAT30002 |
| | 32 | 5.0 | 4000 | 240 | 36 | 19 | TAT30001 |
| Steel | 8 | 1.2 | 1000 | 120 | 36 | 19 | TAT30005 |
| | 32 | 5.0 | 4000 | 240 | 36 | 19 | TAT30006 |



Hazard of electric shock. Heater installation must be grounded.
Heater must be disconnected from power input before servicing or removal.



Note: This style heater can be manufactured with "A" and "B" dimensions suitable for other applications. Consult Tempco with your requirements.

Ordering Information

Catalog Heaters

Order by Part Number for catalog heaters listed.

Custom Engineered/Manufactured Heaters

An electric heater can be very application specific; for ratings not listed, **TEMPCO** will design and manufacture an Immersion Heater to meet your requirements. **Standard lead time is 3 weeks.**

Please Specify the following:

- Application
- Wattage, Voltage
- Element Sheath Material
- Element Watt Density
- "A" and "B" Dimensions
- Unheated Section
- Optional Features
- Quantity

WARNING: Cancer and Reproductive Harm - www.P65Warnings.ca.gov.